



DNR300 Series

PoE HD Network Video Recorder

8/16 ch. 240fps @ 1080p (8ch)/480fps @ 1080p (16ch) Recording, Onvif 2.0, Mobile, PC/Mac

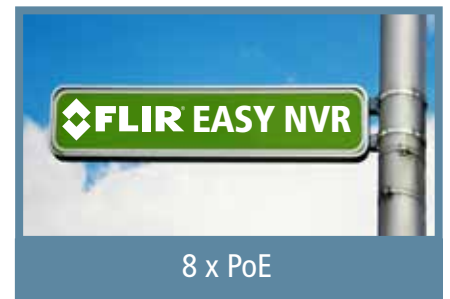
Easiest Connection!
8 PoE Ports Built-In



FLIR CMS Software Included



C O N N E C T E D



8 x PoE

Accelerate your HD recording with FLIR's Turbo Powered DNR300 Series NVRs. The robust and user-friendly NVR line offers advanced functionality for more demanding applications featuring 8 integrated Power over Ethernet (PoE) ports plus greater bandwidth capacity 160 Mbps throughput.

Available in 8 and 16 channel configurations, DNR300 Series NVRs support real-time recording (30 fps per channel) at full HD 1080p resolution in both 8 & 16 channel modes. The Easy NVR's built-in PoE makes system set-up simple with convenient all-in-one connection that reduces installation time and cord clutter. Furthermore, no programming or configuration is necessary as the NVR automatically discovers the FLIR SyncroIP Camera line (as well as many other Onvif compliant cameras) on the network.

Features

- ❖ Easy Connection and setup with 8 integrated PoE ports and auto-discovery of IP Cameras
- ❖ Full HD 1080P recording provides the most detailed picture and reliable identification with selectable area digital zoom
- ❖ Real-time recording in Full HD: 240fps@1080p (8ch) / 480fps@1080p (16ch)
- ❖ Turbo Powered recording bit rate of 160 Mbps
- ❖ Dual streaming (H.264/MJPEG) and dual core processor
- ❖ Pentaplex operation - simultaneous View, Record, Playback, Backup & Remote Monitoring
- ❖ ONVIF 2.0 conformance ensures compatibility with popular industry IP cameras
- ❖ Substream recording for bandwidth efficient remote playback
- ❖ 64 Channel CMS by FLIR included
- ❖ Fully PC / Mac compatible
- ❖ Mobile apps: iPhone, iPad, Android
- ❖ HDMI / VGA / BNC simultaneous video output
- ❖ Free DDNS service by FLIR with secure redundant servers
- ❖ RS-485 supports Pelco D & P PTZ
- ❖ Audio I/O: 1 in - 1 out, Alarm I/O
- ❖ Supports 2x SATA HDDs up to 3TB (6 TB total), 2x USB 2.0 ports
- ❖ Embedded Linux



Specifications

System

Main Processor	Dual-core embedded processor
Operating System	Embedded LINUX
Pentaplex Operation	Simultaneous View, Record, Playback, Backup, and Remote Monitoring

Inputs/Outputs

IP Camera Input	8 channel / 16 channel
Power over Ethernet (PoE)	8 integrated PoE ports
Audio	1 channel input (BNC), 1 channel output (BNC)
PTZ	RS-485, supports Pelco-D and Pelco-P
USB	2 ports
Alarm Input	8 Channel
Relay Out	3 Channel

Display

Interface	1 HDMI, 1 VGA, 1 BNC
Resolution	1920×1080, 1280×1024, 1280×720, 1024×768
Display Split	1/4/8/9, 1/4/8/9/16
OSD	Camera title, Time, Camera Lock, Motion Detection, Recording Status

Recording

Compression	H.264
Resolution	1080P (1920×1080) / 720P (1280×720)
Record Rate	240FPS @ 1080P / 480FPS @ 1080P
Bit Rate	160Mbps
Record Mode	High Quality Stream/Sub-Stream Recording: Manual, Schedule, Motion Detection, Alarm
Record Interval	1~120 min (default: 60 min), Pre-record: 1~30 sec, Post-record: 10~300 sec

Video Detection and Alarm

Trigger Events	Recording, PTZ, Tour, Alarm, Video Push, Email, FTP, Buzzer & Screen tips
Video Detection	Motion Detection

Playback and Backup

Sync Playback	1/4/8, 1/4/8/16
Playback Function	8 Channel / 16 Channel
Backup Mode	USB Device / Network
Configuration Backup	To USB Device

Network

Ethernet	RJ-45 port (10/100M/1000M)
Network Function	HTTP, TCP/IP, IPv4/IPv6, UPNP, RTSP, UDP, SMTP, NTP, DHCP, DNS, IP Filter, PPPOE, DDNS, FTP, Alarm Server, IP Search
Max. User Access	20 simultaneous users
Smart Phone	iPhone, iPad, Android
IP Cameras Supported	FLIR, Digimerge, Panasonic, Sony, Dynacolor, Samsung, AXIS, Arecont, Bosch, Canon, Honeywell, Pelco, Panasonic, Vivotek

Storage

Main Processor	2 internal SATA ports (2HDD)
Maximum Storage Capacity	6TB (2 x 3TB) internal

Dimensions

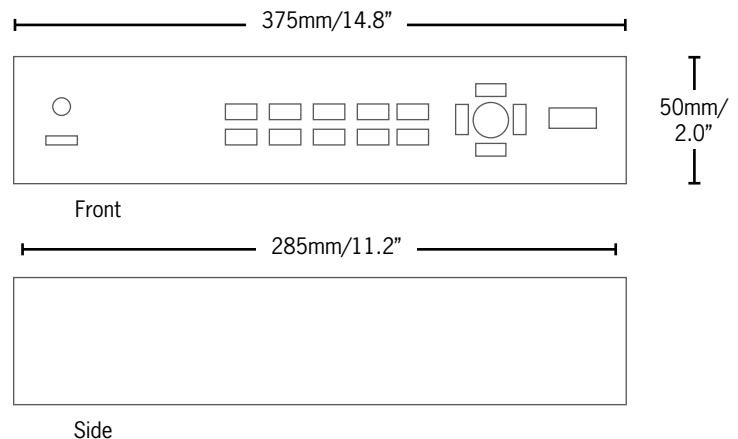
Weight	2.3kg / 5.1lbs
--------	----------------

Power

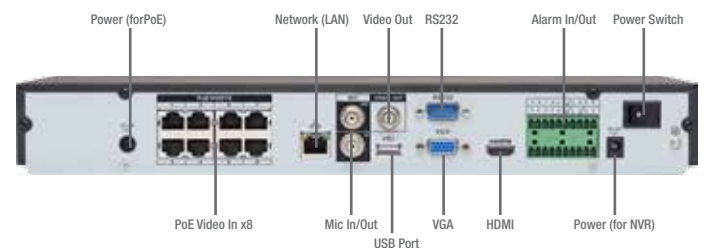
Power Supply	1x 12V DC 5A (for NVR); 1x 48V DC 2.5A (for PoE)
--------------	--

Package Dimensions

Weight:	4.6kg/10.2lbs
Package Dimensions:	438mm x 343mm x 153mm / 17.2" x 13.5" x 6.0"
Cube:	0.023 Cubic Metres / 0.81 Cubic Feet



Back Panel



Product Information

UPC:	DNR308P1 8 Channel 1TB HDD	8-41430-00843-9
	DNR308P2 8 Channel 2TB HDD	8-41430-00844-6
	DNR316P1 16 Channel 1TB HDD	8-41430-00846-0
	DNR316P2 16 Channel 2TB HDD	8-41430-00847-7

Includes: NVR, HDD, Remote Control, 2 x Power Supply, Software application CD, 3ft Ethernet Cable



www.digimerge.com
www.flir.com/security

Digimerge Technologies Inc.
250 Royal Crest Court, Markham, ON Canada L3R 3S1
Tel: 905.946.8477 Fax: 905.947.0138

Digimerge is a FLIR® company.

Because our products are subject to continuous improvement, Digimerge reserves the right to modify product design and specifications without notice and without incurring any obligation. E&O.E.

1-05112013